



# Fitting Instruction

Part-No. : 118B040/RABS  
Product : Rear Set, adjustable  
Vehicle Manufacturer : BMW  
Model (Type) : S 1000RR (K10) 2010 →

## Important:

Read this instruction manual carefully and mind all warnings and tips. You should do this work only if you're qualified; otherwise we recommend this mounting to be done by a qualified workshop. Improperly mounting of this kit can reduce the driveability of the motorcycle and may be a risk to your health and life. Test brake and gear shifting indoor, after installing rear set. If anything is not operating properly or braking efficiency is poor, testing on the road may result in death or serious injury!

Special works are marked with the following signs. Please take special care on these works.



**Warning! Important mounting instruction. It shows risks to your life and health.**



**Tips for mounting and maintenance or to avoid damage.**

## Fitting:

Remove stock rear sets. The following parts will be used for your new rear set: gear-box lever with ball-joint, brake cylinder with reservoir and rubber damper and fastening for the exhaust.



**Rear sets are delivered pre-assembled! All fastening elements, which are not used for mounting or adjusting the rear set, are fitted with tightening torque and bolt adhesive. Those fastening elements are not mentioned in this instruction. All mentioned fasteners, which are not secured by counter- or self-locking nuts, should be installed with medium bolt adhesive (e.g. Loctite 243).**



The original brake-light switch has to be replaced by a hydraulic one. It replaces the banjo bolt that fixes the brake hose on the brake cylinder. **This is the highest point on brake-system, assure proper air free installation! Use only seal rings according to the brake hose manufactures' instructions.** Please mind that additional work occurs by connecting the brake-light switch to the harness and some material for wiring and connecting may be necessary.

The tightening torques for connections to the frame refers to the manufacturer's instructions. Use the following torques for all the other bolted connections:

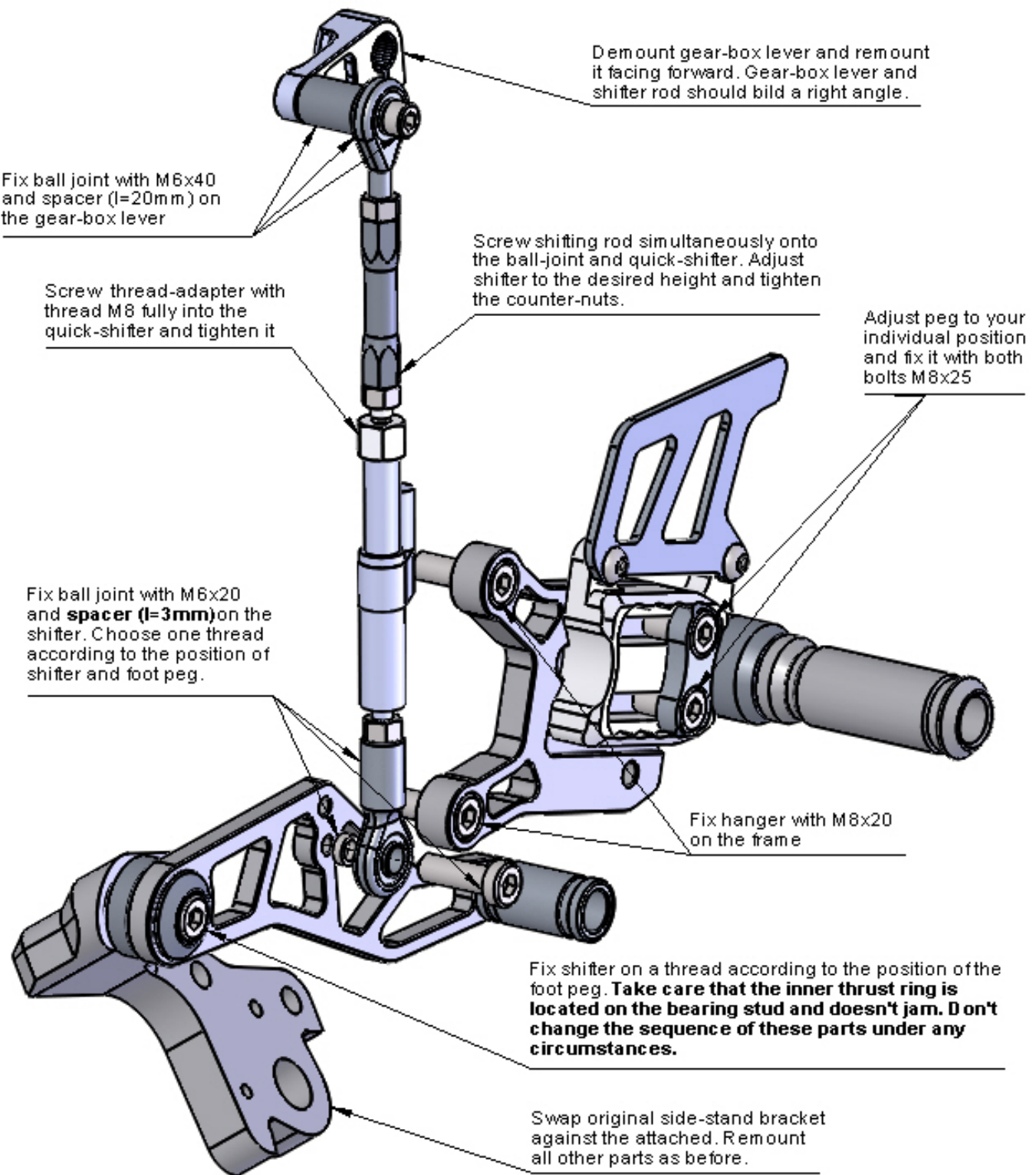
<b>M5</b>	<b>=</b>	<b>6Nm</b>	<b>=</b>	<b>4.43lbf ft</b>
<b>M6</b>	<b>=</b>	<b>10Nm</b>	<b>=</b>	<b>7.38lbf ft</b>
<b>M8</b>	<b>=</b>	<b>20Nm</b>	<b>=</b>	<b>14.75lbf ft</b>
<b>M10x1,25</b>	<b>=</b>	<b>30Nm</b>	<b>=</b>	<b>22.13lbf ft</b>

## Maintenance:

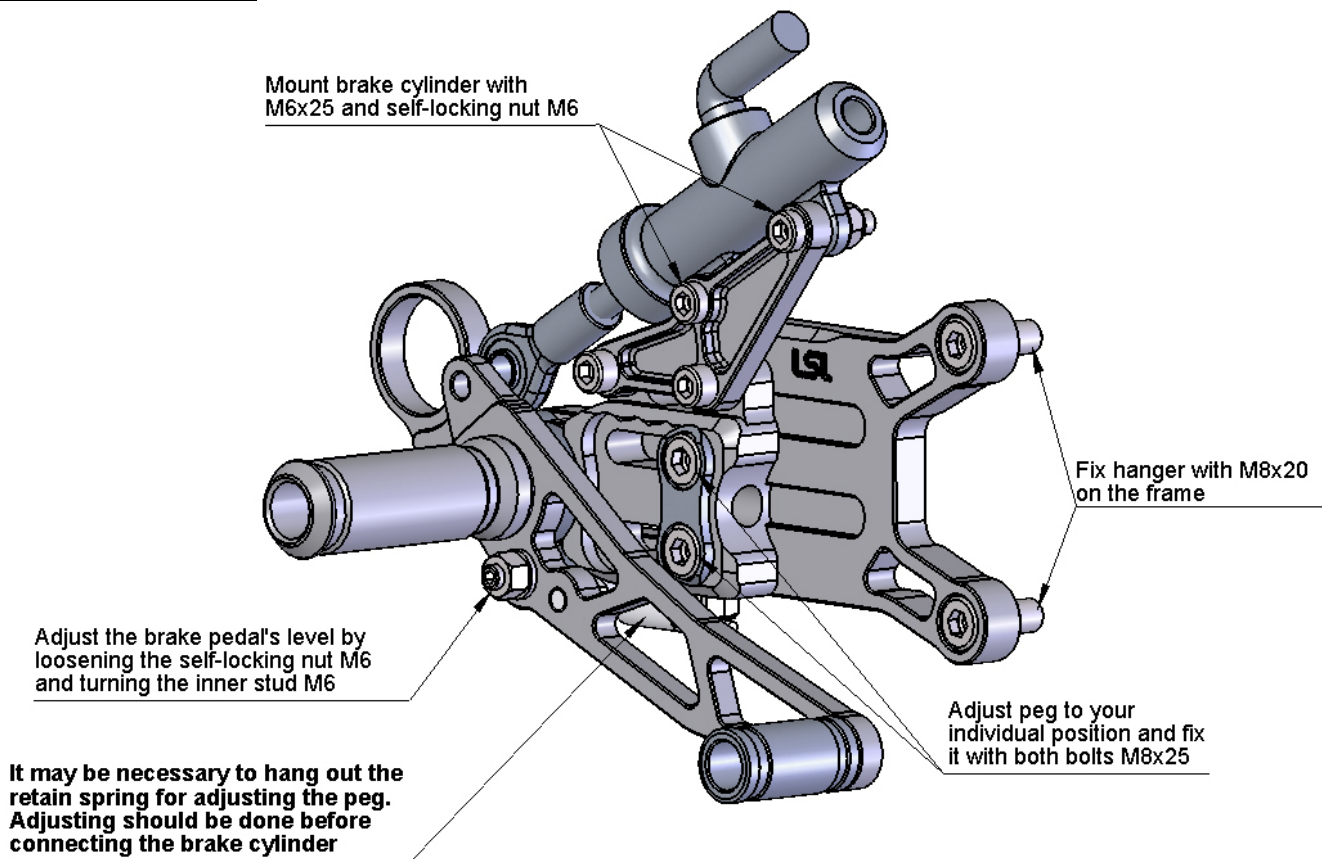


Periodically proof all functions during service intervals. Use **particle free (no MoS<sub>2</sub>)** lithium or barium soap grease to maintain lever bushings.

**Fitting left:**



### Fitting right (step 1):



### Fitting right (step 2):

